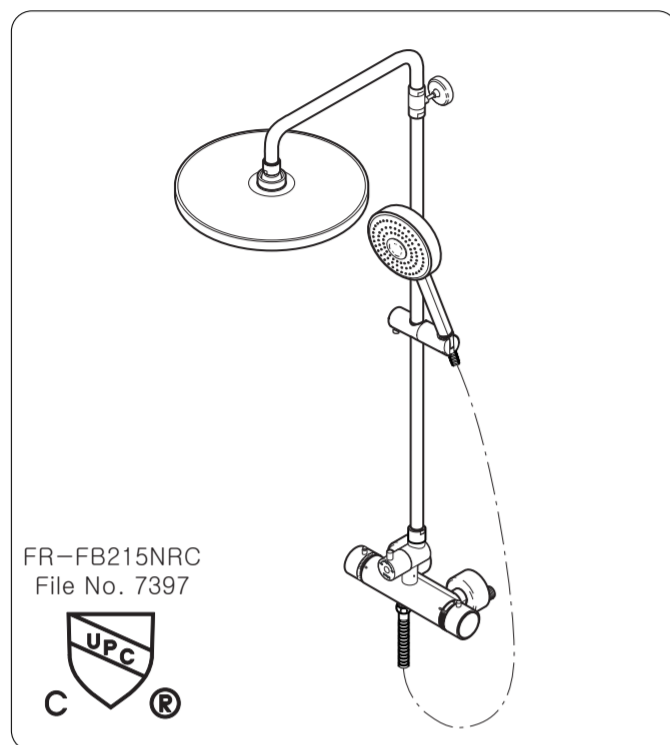


Please read this manual before installing and using the product

DAELIM

Installation / Operation Manual

Sunflower Shower with Exposed Thermostatic Valve



This product is recommended for installation by a professional plumber.

Thank you for choosing this Daelim product.

- This product was manufactured under strict quality control.
- Contact authorized distributor for support or service.
- This product is covered by a 2 year limited warranty.
- Review warranty terms and conditions.
- Contact authorized distributor for Return Authorization Number (RNA) before returning for service.

Canada Distributor:

Fraser International Trading Inc.
105-1772 Broadway St.
Port Coquitlam, BC V3C 2M8
Tel. 604-552-7711 / TF 1-888-531-8383
email : fraserit@telus.net
www.cleanrevolution.com

Daelim Trading Co. Ltd.

87-9 Yeonhui-Dong, Seodaemun-Gu,
Seoul, Korea
Tel. 822-730-9811 / Fax 822-335-0079
www.dlt.co.kr

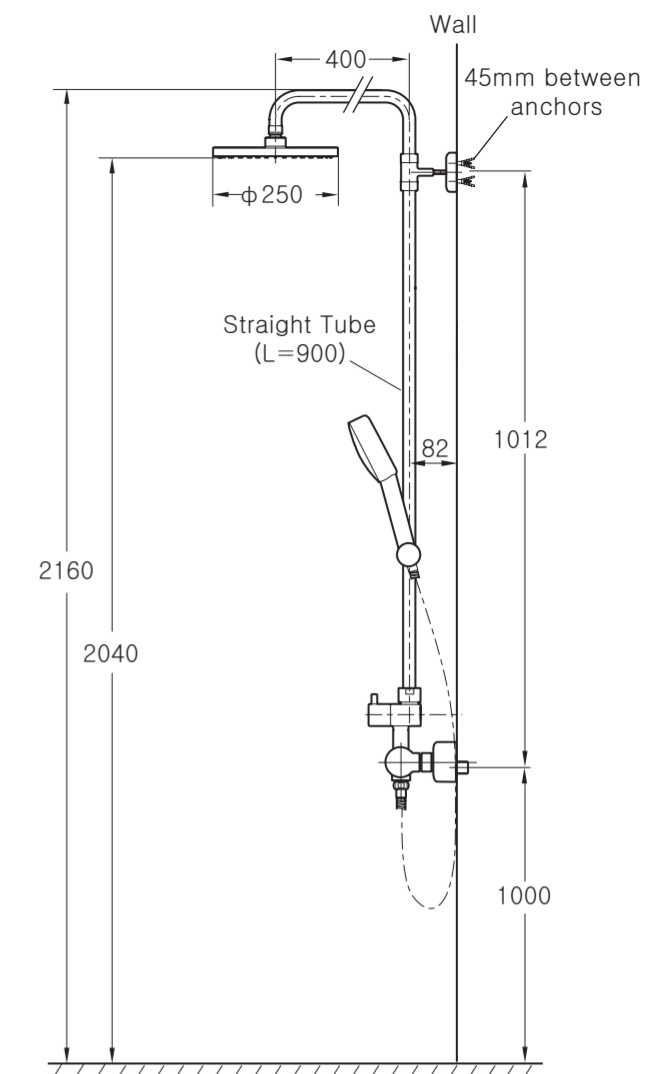
Specifications

- Tested Water Pressure: 240 PSI
- Recommended Incoming Water Pressure: 40 – 60 psi
- Recommended incoming Water Temperature : 60°C(140°F)
- Maximum Flow Rate: 9.5 litres/min. @ 80 PSI
- Maximum Calibrated Operating Temperature : 49 °C

Features

- Adjustable showerhead
- Designer hand shower with 3 settings
- Adjustable hand shower height & angle
- Volume control handle
- Thermostatic temperature control
- Easy Clean showerhead & hand shower
 - rub nozzle tips with finger or sponge to remove deposits

Dimensions

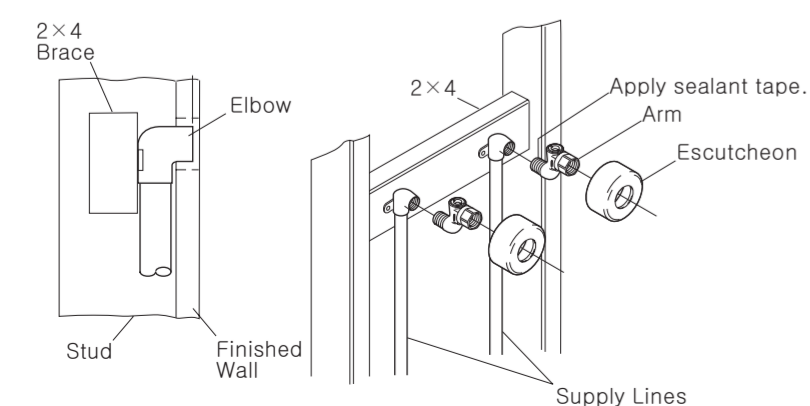


- Adjust piping height as required for desired shower height
- Ensure piping interval is correct

Installation Notes

- Flat wall installation only. Solid surfaces (tile, stone) with no protrusions
- Reinforce mounting points in acrylic or fiberglass shower enclosures
- Connect to 1/2" water pipes
- Ensure hot & cold pipes are correctly installed left & right respectively
- Pressure reducing valve recommended for water pressure over 70 PSI
- Adjust thermostatic valve so safety stop button is calibrated to 38°C
- Plumbing codes may warrant devices to eliminate water hammer
- Back siphonage protection by Neoperl check valves #30.4073.0 (File #4374)
- A water filter or softener is recommended in hard water areas.

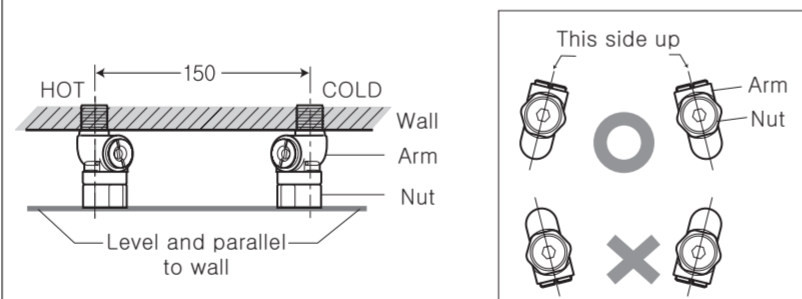
Rough In Wall



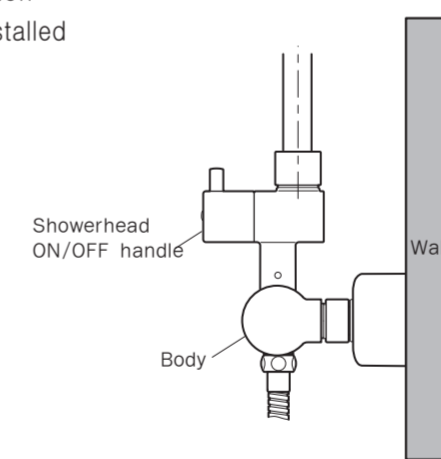
Installation

- Flush water pipes before installing shower to remove any foreign particles.
- Remove strainer caps and strainers from arms before flushing (see Cleaning Strainers)

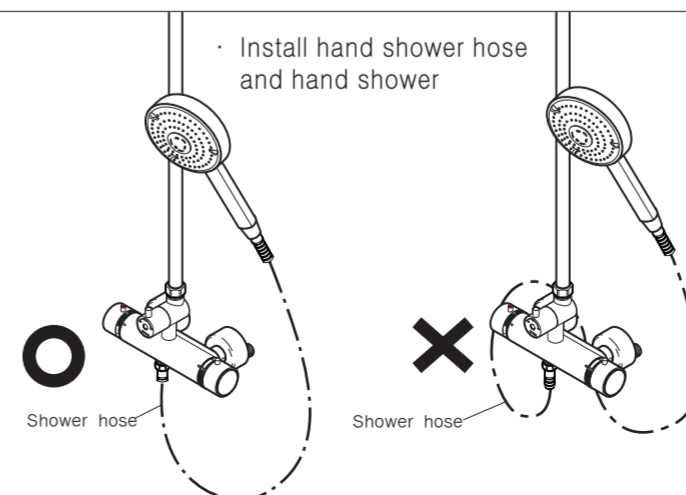
- Ensure hot & cold water pipes and arms are well secured with cross stud behind wall. Wrap piping tape around arm thread and install into pipe adapters (not supplied).
- Ensure both flow control valves (small screws) are fully open.
- Ensure both strainer caps (large screws) are tight.



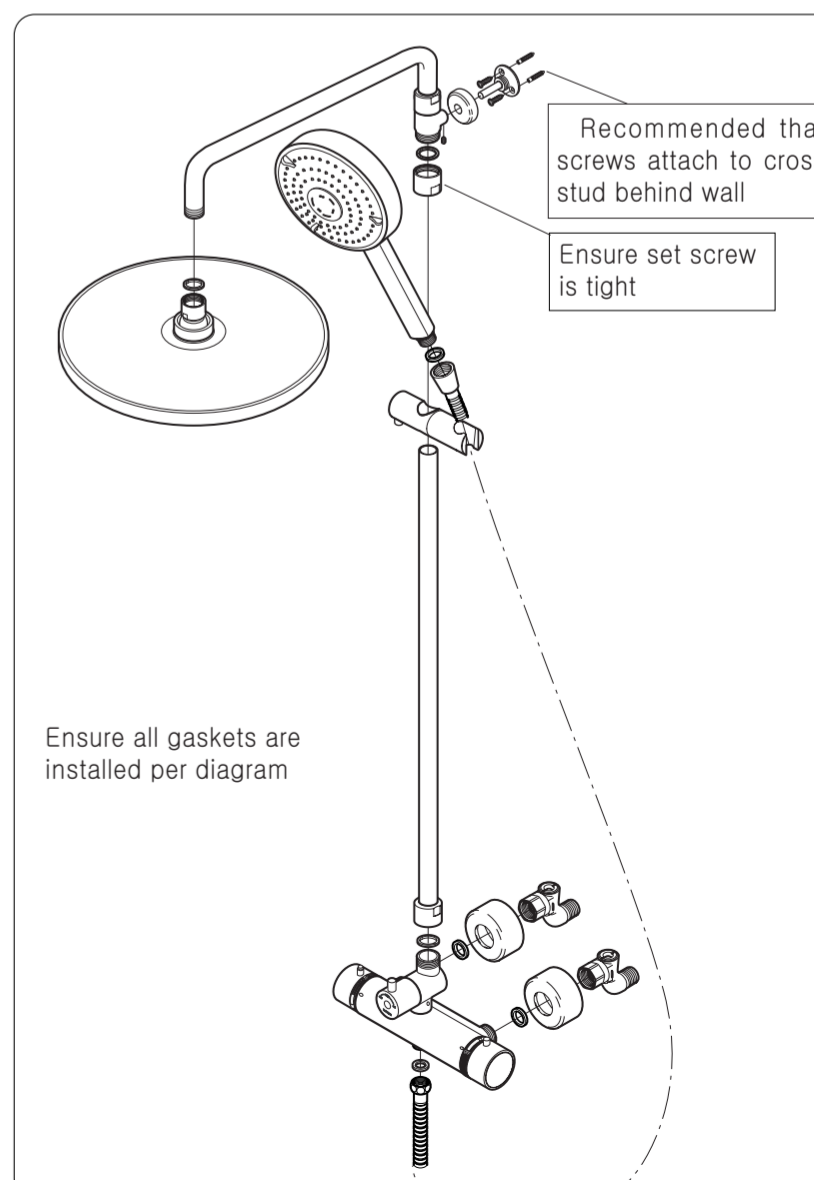
- Install shower per illustration
- Ensure all washers are installed as indicated



- Install hand shower hose and hand shower

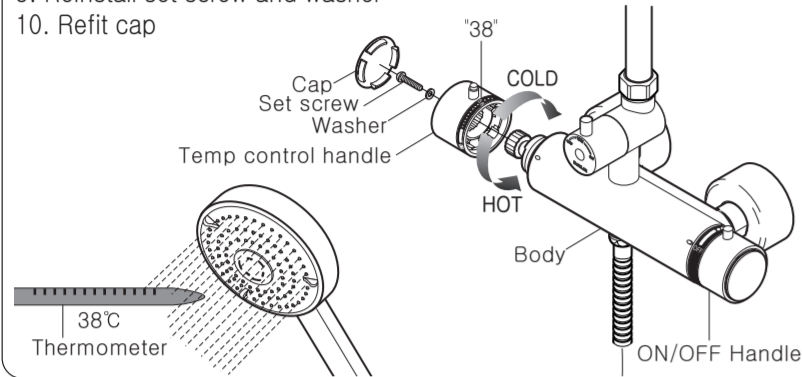


Installation Illustration



Calibrating Thermostatic Valve

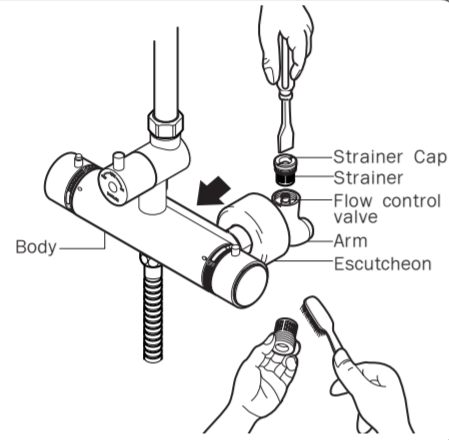
1. Turn on hand shower
2. Turn temperature handle to 38°C stop position
3. Check water temperature is 38°C (100°F) with a thermometer
4. If not, remove temperature handle cap
5. Remove set screw and washer
6. Detach temperature handle
7. Turn serrated ring until water temperature reaches 38°C (100°F)
8. Reinstall temperature handle so that stop button position lines up
9. Reinstall set screw and washer
10. Refit cap



Cleaning strainers

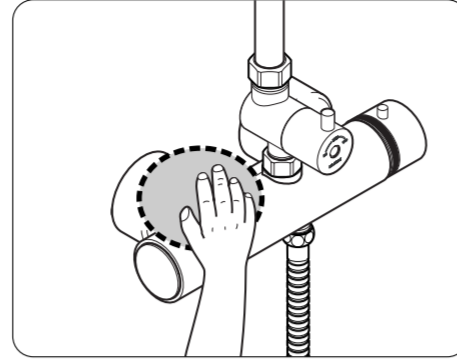
Clogged strainers can malfunction temperature control. Clean strainers the following way:

- (1) Move the escutcheons toward the main body. Close both flow control valves with a flathead screwdriver.
- (2) Remove both strainer caps with a flathead screwdriver.
- (3) Remove both strainers, clean with a brush and rinse under water.
- (4) Reassemble.



User Notes

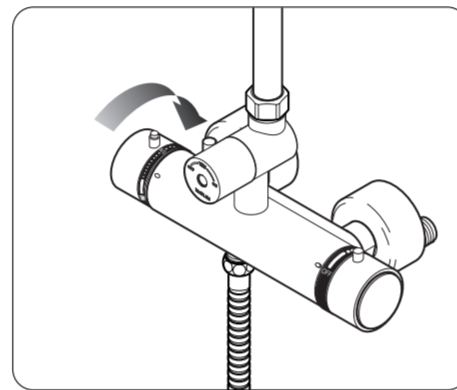
Hot water is supplied to the left side of the main body and may become hot



Always hand test water before entering the shower



Ensure temperature control handle is turned to 38°C when finished showering



Do not turn ON/OFF or temperature control handles too quickly

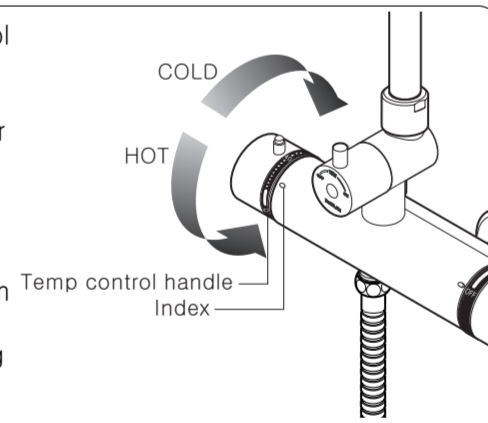
User Instructions

Temperature Control

Turn the temperature control handle forward to increase water temperature and backward to decrease water temperature.

While increasing water temperature the handle will safety stop at 38°C.

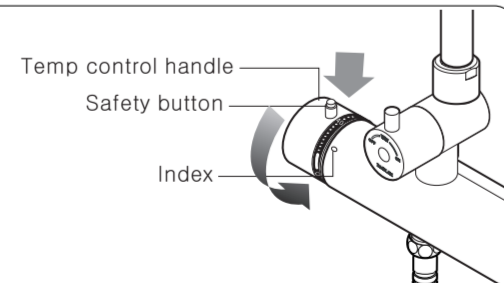
To obtain water warmer than 38°C, press the safety stop button and continue turning the handle forward.



Safety Stop Override

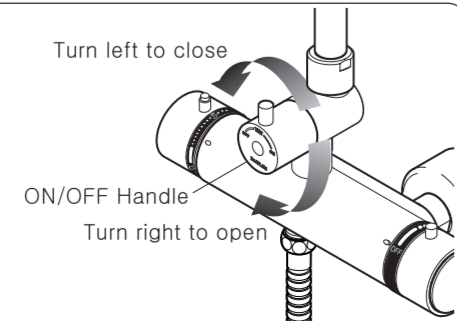
Calibrated safety stop button prevents scalding by limiting water temperature to 38°C.

When pressed down the button allows user to increase temperature to maximum 49°C



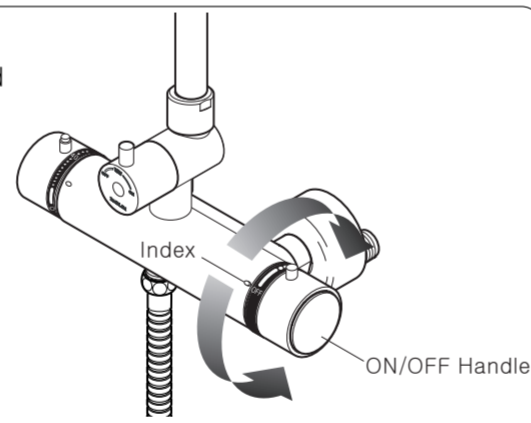
Shower Head

Turn the shower head ON/OFF handle right to open and left to close



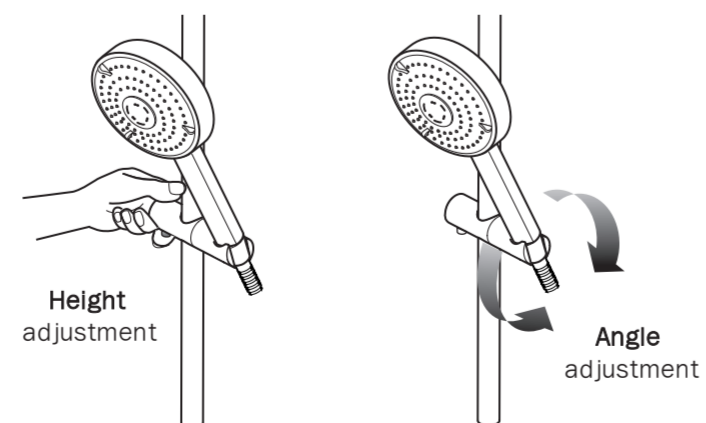
Hand Shower

Turn the hand shower ON/OFF handle forward to open and backward to close.



Adjusting the Hand Shower

The height and angle of the hand shower is adjustable.



Parts

