



Remote

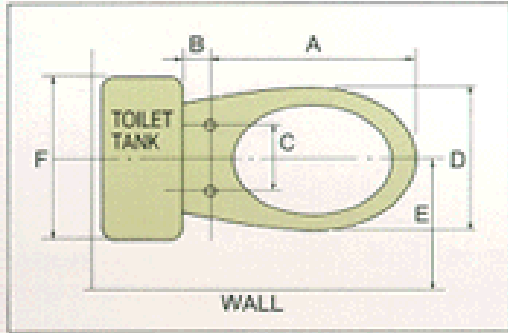


Installation

Check toilet dimensions to ensure fit.
(Fits 1 + 2 piece toilets)



Console



Round Front:

Dimension A+B: ~ 19-5/8"

Elongated:

Dimension A+B: ~ 20-1/2"

Both:

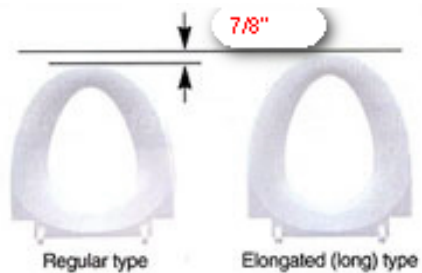
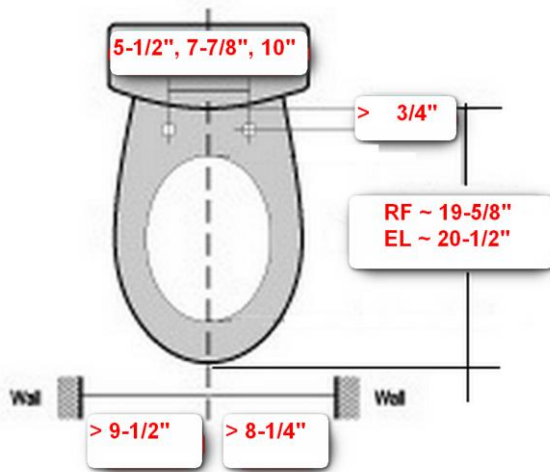
Dimension B: Min. 3/4"

Dimension C: 5 1/2" – 10"

Dimension D: Maximum 15"

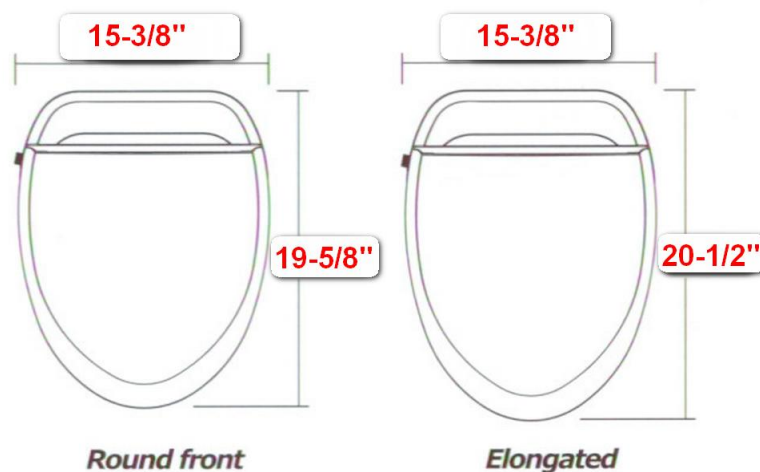
Dimension E: > 9-1/2"

(Seat adjusts 2" forward and backward)





For best Round Front fit, face of toilet tank to inside front rim should be at least 17-1/2".

Dimensions (Console 3" wider)



Clean Touch Specifications

<u>Models:</u>	Remote UB-6035R Console UB-6235		
<u>Electric Supply:</u>	AC 120V ~ 660W ~ 60Hz (GFI outlet required)	  Certified Underwriters Laboratories ISO 9001	
<u>Water Supply:</u>	Direct connection to water line. Branching valve & hoses included.		
<u>Water Temperature:</u>	Low, Medium, High (to 40 deg C)		
<u>Seat Temperature:</u>	Low, Medium, High (to 40 deg C)		
<u>Water Pressure:</u>	5 Settings		
<u>Drying Temperature:</u>	5 Settings		
<u>Seat Sensor</u>	Yes.		
<u>Colours:</u>	Remote : White / Biscuit Console: White		
<u>Adjustable Nozzle:</u>	5 settings.		
<u>Controls:</u>	Remote Console		
<u>Seat & Lid</u>	Hydraulic Soft Close.		
<u>Remote</u>	Elongated: 20-1/2" L x 15-3/8" W x 5-5/8" H		Round: 19-5/8" L x 15-3/8" W x 5-5/8" H
<u>Console</u>	Elongated: 20-1/2" L x 18-3/8" W x 5-5/8" H		Round: 19-5/8" L x 18-3/8" W x 5-5/8" H
<u>Power Cord:</u>	4ft. (1.2M) (center rear)		